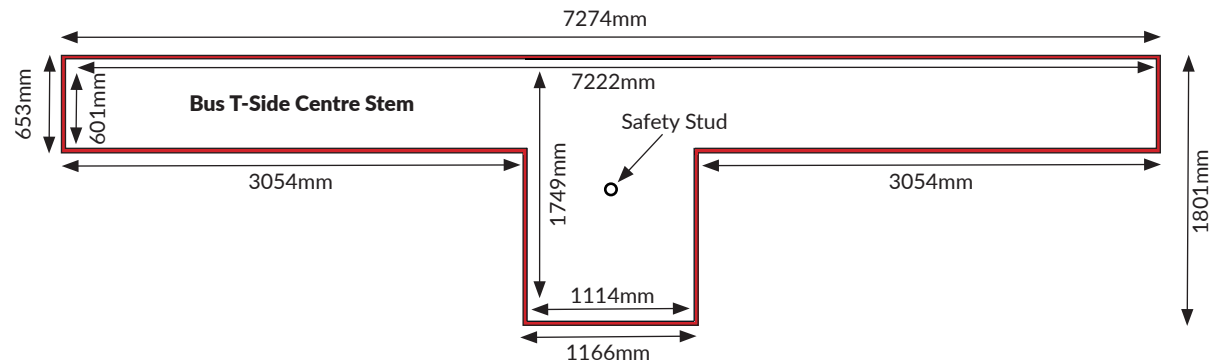






Bus - T-Side Centre Stem **specifications & guidelines**

Artwork Specifications

Size: 727.4mm x 65.3mm (tenth size)
Safe copy area: 722.2mm x 60.1mm
DPI: 300dpi (minimum) / 500dpi (best)
File Type: CMYK
File Format: High Resolution PDF
Text Format: Outlined vectors for upscaling



-  **Full poster size** (background image to extend to trim - with additional 10mm bleed at full size)
-  **Safe copy area**

ARTWORK DEADLINE - 15 WORKING DAYS PRIOR TO GOING LIVE - Send artwork to allstaff.uk@hi-rezz.com using WeTransfer or similar.

* ALL Global / TFL / London Underground & Buses MUST have artwork copy approved before going to print. Please allow an additional week for the approval process.